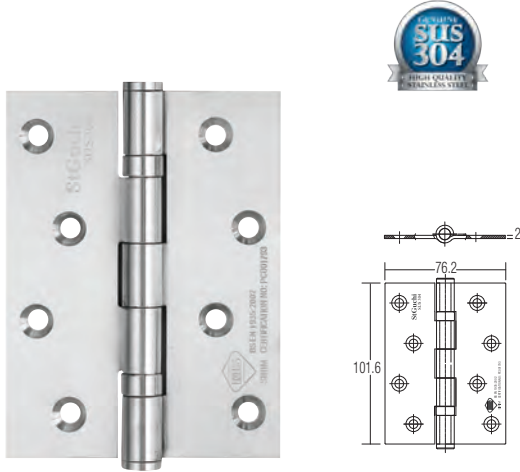
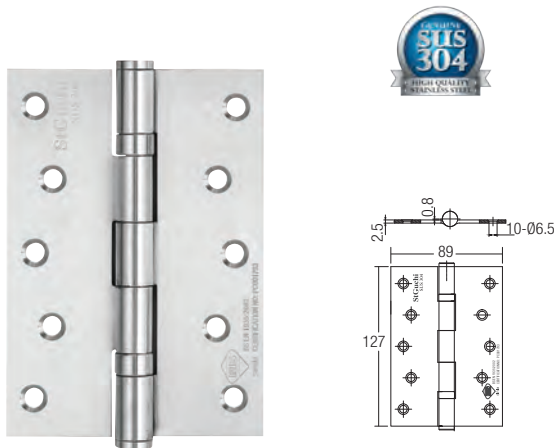


**SGDH-743020-SS 2BB 4"x3"x2mm
SUS304 Stainless Steel Hinge**



TECHNICAL INFORMATION	
Material :	Stainless Steel SUS304
Door Weight maximum	60kg
Door Width maximum	950mm
Sizes (mm)	102 x 76 x 2mm
BS EN 1935:2002	Tested By Sirim
Pass Durability Test	200,000 Cycles Test
Corrosion Resistance	240 Hours
Ball Bearing	2 Ball Bearing

**SGDH-753525 SS 2BB 5"x3.5"x2.5mm
SUS304 Hinge**



TECHNICAL INFORMATION	
Material :	Stainless Steel SUS304
Door Weight maximum	100kg
Door Width maximum	1250mm
Sizes (mm)	127 x 89 x 2.5mm
BS EN 1935:2002	Tested By Sirim
Pass Durability Test	200,000 Cycles Test
Corrosion Resistance	240 Hours
Ball Bearing	2 Ball Bearing

Code		Material	Finishing	Packing
Stainless Steel 2 Ball Bearing Hinge	SGDH-743020 2BB	Stainless Steel SUS304	SS	40 pairs/ctn
	SGDH-753525 2BB			25 pairs/ctn

*All the measurements are in millimeter (mm)